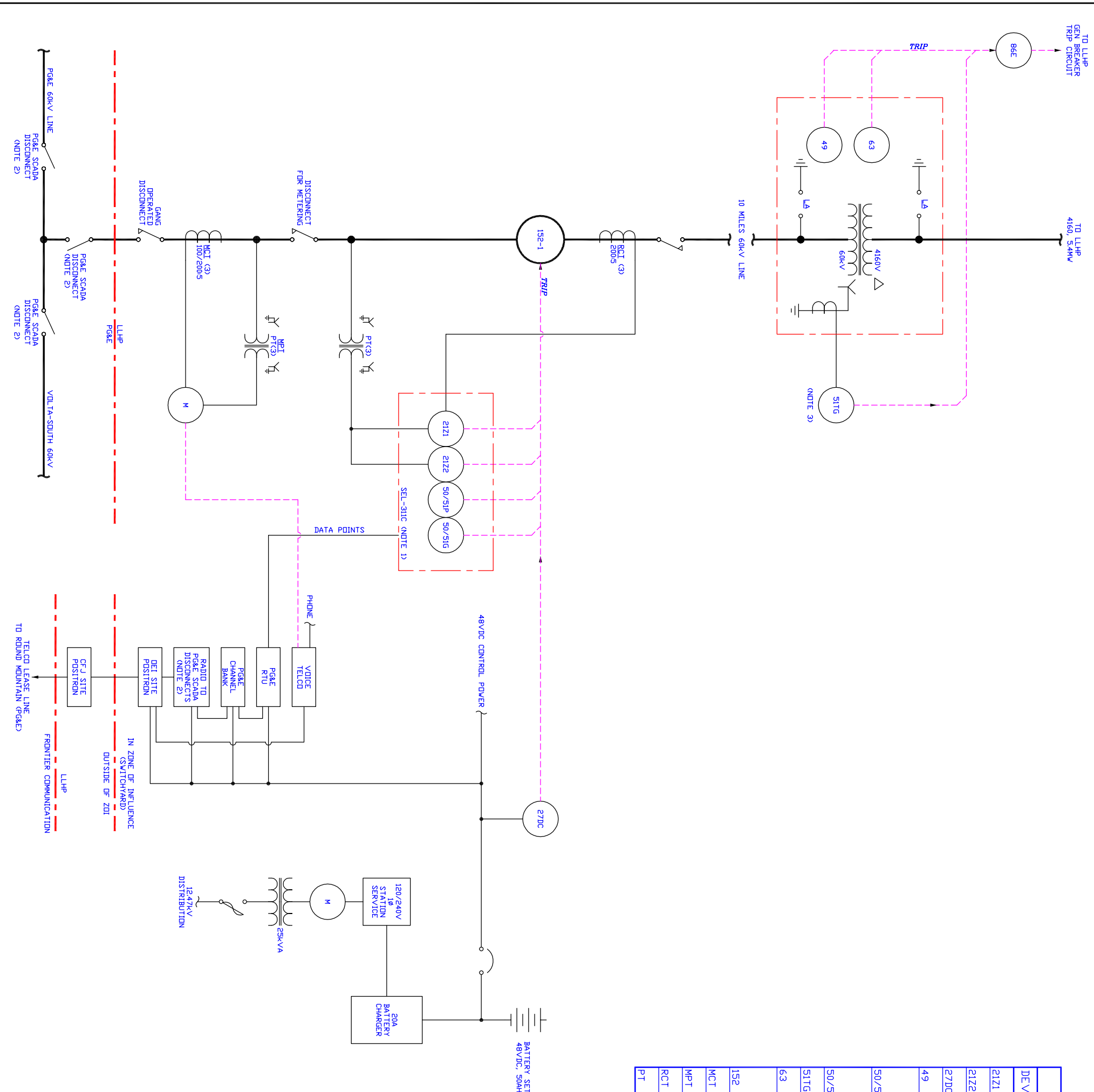


DEVICE	DEVICE NAME	TYPE	FUNCTION
2121	ZONE 1 DISTANCE RELAY (NOTE 1)	SEL-311C	RELAY DETECTS FAULTS IN PG&E SYSTEM IN ZONE 1
2122	ZONE 2 DISTANCE RELAY (NOTE 1)	SEL-311C	RELAY DETECTS FAULTS IN PG&E SYSTEM IN ZONE 2
270C	DC UNDER VOLTAGE RELAY	EMAX	RELAY CAN BE USED TO TRIP 60KV BREAKER
49	TRANSFORMER THERMAL RELAY	PART OF MAIN TRANSFORMER	RELAY CAN BE USED TO SOUND ALARM & TRIP GENERATOR BREAKER
50/51G	GROUND OVERCURRENT RELAY (NOTE 1)	SEL-311C	DETECTS OVER CURRENT TO PROVIDE BACKUP PROTECTION FOR INTERNAL & EXTERNAL FAULTS. TRIPS MAIN CIRCUIT BREAKER. 200/5
50/51P	PHASE OVERCURRENT RELAY (NOTE 1)	SEL-311C	DETECTS OVER CURRENT TO PROVIDE BACKUP PROTECTION FOR INTERNAL & EXTERNAL FAULTS. TRIPS MAIN CIRCUIT BREAKER. 200/5
51TG	TRANSFORMER GROUND OVERCURRENT RELAY	BASLER BEI-50/SIM-204	RELAY CAN BE USED TO SOUND ALARM & TRIP GENERATOR BREAKER (NOTE 3)
63	TRANSFORMER PRESSURE SW.	PART OF MAIN TRANSFORMER	RELAY CAN BE USED TO SOUND ALARM & TRIP GENERATOR BREAKER
152	60KV BREAKER	-	CIRCUIT BREAKER DESIGNED TO INTERRUPT FAULTS FROM UTILITY SYSTEM AND TO ACT AS A SEPERATION DEVICE DURING CERTAIN CONDITIONS.
MCT	METERING CURRENT TRANSFORMER	-	CURRENT TRANSFORMER PACKAGE FEED UTILITY METERING 100/200/5
MPT	METERING POTENTIAL TRANSFORMER	-	POTENTIAL TRANSFORMER PACKAGE FEED UTILITY METERING 500/1
RCT	RELAY CURRENT TRANSFORMER	-	CURRENT TRANSFORMER PACKAGE FEED UTILITY PROTECTION 200/5
PT	POTENTIAL TRANSFORMER	-	POTENTIAL TRANSFORMER PACKAGE FEED UTILITY PROTECTION 500/1



NOTES

NOTE 1: LINE RELAY X2 FOR REDUNDANCY.

NOTE 2: SCADA TO DISCONNECT SWITCHES.

NOTE 3: IF REDUNDANCY FOR 51TG FUNCTION IS REQUIRED, SEA BASLER BEI-50/SIM-204 RELAYS WILL BE UTILIZED.

DEVICE LEGEND

LLHP - LASSEN LODGE HYDRO PROJECT

BAT ELECTRIC, INC.
 20410 MARTINEZ LANE
 REDDING, CA 96002
 TEL: (530) 221-1336
 FAX: (530) 221-3486

RUGRAW, LLC
 LASSEN LODGE 5.0MW
 HYDRO ELECTRIC PROJECT
 POINT OF INTERCONNECTION

DWG No.: 11P0525-02
 ENGR: DBAIDORE
 DATE: 3-29-11

REV	BY	DATE
A	PT	1-21-14
B	PT	4-1-14